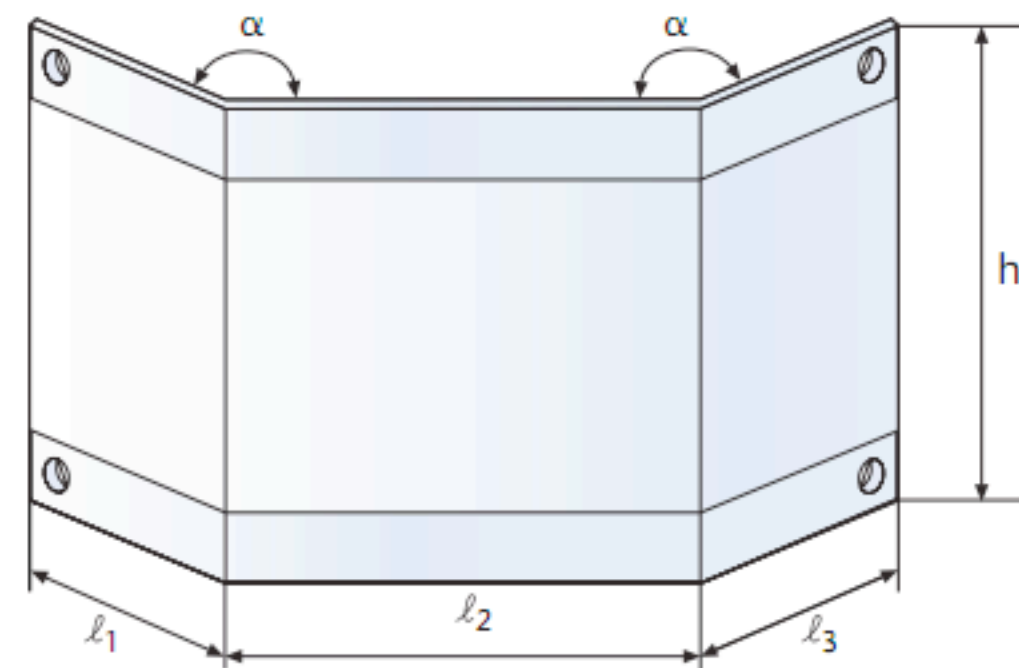


Angular bent, 2 angles

	Standard*	Minimum	Maximum	Size	Tolerance
h panel height	250–500 mm	170 mm	650 mm	$h \leq 500$ mm $500 < h \leq 600$	± 1.0 mm ± 1.5 mm
l_2 center section length	200–400 mm	170 mm	650 mm	l_2	± 1.0 mm
l_1, l_3 side section length	100–210 mm	60 mm	340 mm	l_1, l_3	± 2.0 mm
α bending angle	135°	90°	160°	α	see slot gauge

Special sizes upon request | all sizes are outer dimensions.



Angular bent, 1 angle

	Standard*	Minimum	Maximum	Size	Tolerance
h panel height	350–500 mm	170 mm	600 mm	$h \leq 500$ mm $500 < h \leq 600$	± 1.0 mm ± 1.5 mm
l_1 long side	400–800 mm	60 mm	860 mm	l_1	± 2.0 mm
l_2 short side	100–500 mm	60 mm	500 mm	l_2	± 2.0 mm
α bending angle	135°	90°	160°	α	see slot gauge

Special sizes upon request | all sizes are outer dimensions.

